

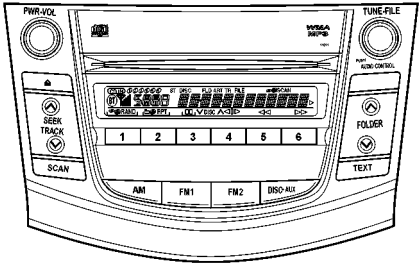
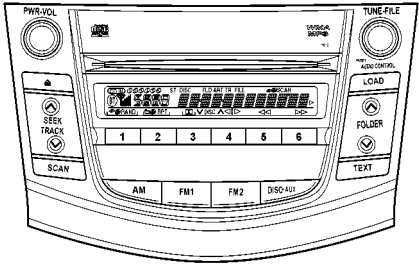
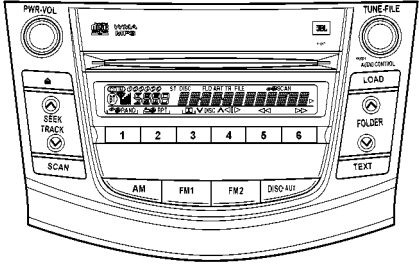
EQUIPMENT

Audio System

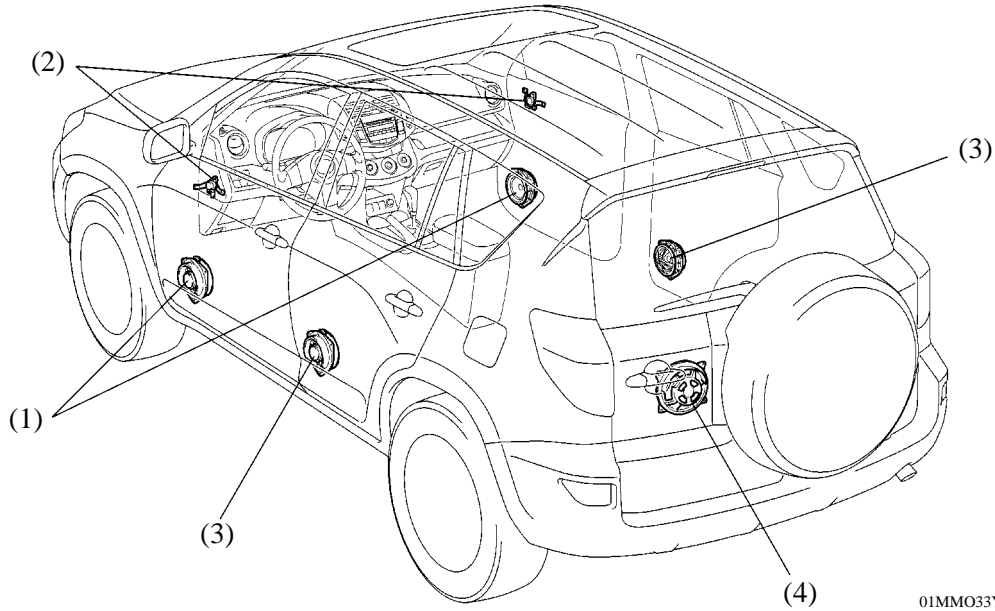
- Three types of audio systems are provided, as detailed below.
- The CD player has a CD-TEXT display function that displays the text information when playing CDs that contain CD text.
- The CD player on the all models has MP3 (MPEG Audio Layer-3) and WMA (Windows Media Audio) format playback functions.

► Head Unit Specifications ◀

●: Standard OP: Option —: None

Design	Specification	Provided		
		Standard	Limited	Sport
 <p>01MMO30Y</p>	<ul style="list-style-type: none"> • AM/FM Tuner • CD Player • CD-TEXT Display Function • MP3 and WMA Playback Function • 6-speaker System • Manufacturer: Fujitsu TEN 	•	—	•
 <p>01MMO31Y</p>	<ul style="list-style-type: none"> • AM/FM Tuner • In-dash-6-CD Changer • CD-TEXT Display Function • MP3 and WMA Playback Function • 6-speaker System • Manufacturer: Fujitsu TEN 	OP	•	OP
 <p>01MMO32Y</p>	<ul style="list-style-type: none"> • AM/FM Tuner • In-dash-6-CD Changer • CD-TEXT Display Function • MP3 and WMA Playback Function • 9-speaker System • Manufacturer: Fujitsu TEN 	—	OP	OP

► Speaker Location ◀



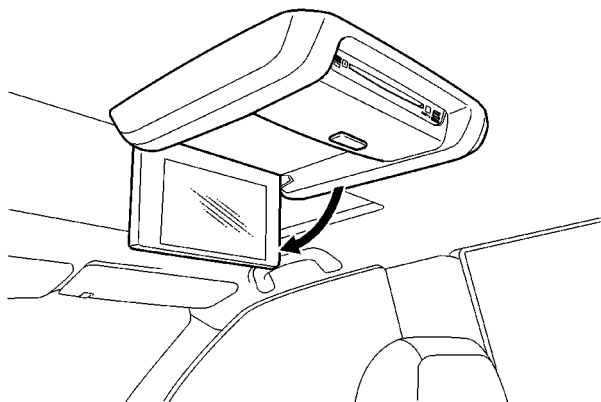
01MMO33Y

► Speaker Specification ◀

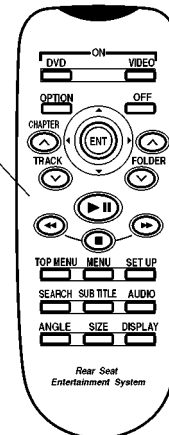
Type		Caliber	Impedance	Input Range	
(1)	Front Door	JBL	16.0 cm	2.2 Ω	29 W
		Standard	16.0 cm	4 Ω	20 W
(2)	Tweeter	JBL	6.5 cm	2 Ω	20 W
		Standard	6.5 cm	4 Ω	20 W
(3)	Rear Door	JBL	16.0 cm/2.0 cm	2.6 Ω	20 W
		Standard	16.0 cm	4 Ω	20 W
(4)	Woofer	JBL	20.0 cm	2.0 Ω	50 W

RSES (Rear Seat Entertainment System)

- The RSES with which the rear seat occupants can enjoy a video DVD (Digital Versatile Disc) has been made available as optional equipment on the Limited grade for the 2GR-FE engine model.
- The RSES consists of a 9-inch wide LCD (Liquid Crystal Display), a DVD player that are located under the roof, and a remote controller.
- The RSES is operated by the remote controller.



Remote Controller

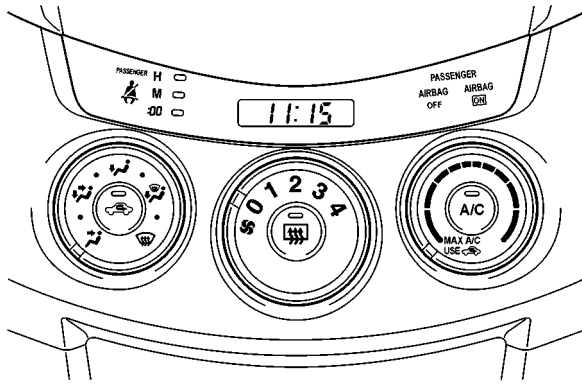


01MMO34Y

01MMO35Y

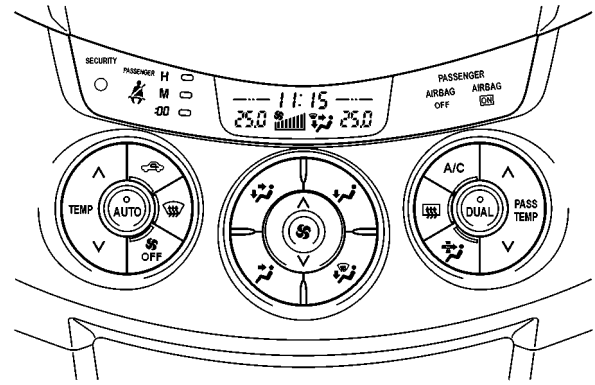
Air Conditioning System

- Manual air conditioning is provided as standard equipment for the Standard and Sport grades.
- An automatic air conditioning that can set the temperature independently for the driver and front passenger areas is provided as standard equipment for the Limited grade.
- The automatic air conditioning is provided with the micro dust and pollen filter control.



01MMO36Y

Manual A/C Model



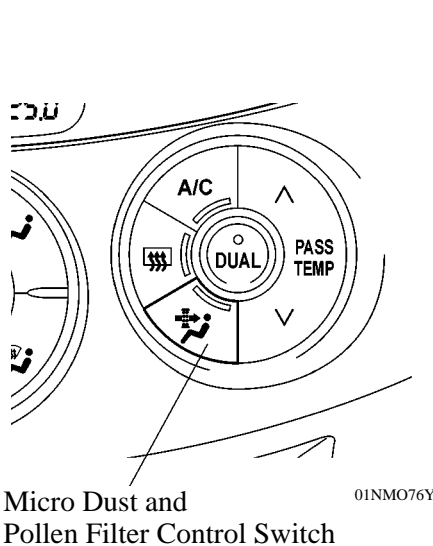
01MMO37Y

Automatic A/C Model

Micro Dust and Pollen Filter Control

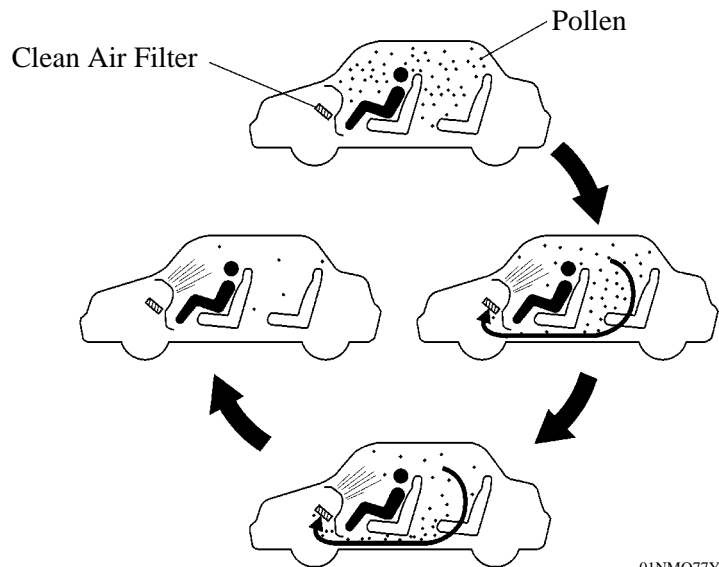
- The micro dust and pollen filter control quickly removes pollen from the front seat occupant area with the pressing of the micro dust and pollen filter control switch on the heater control panel, without requiring any complex air conditioning operation.
- When the user pushes the micro dust and pollen filter control switch, the air conditioning operates in the recirculation mode. The clean air that has passed through the clean air filter blows out from the face outlet to the occupant area.

The filtered clean air quickly removes pollen from the occupant area. After that, the air in the cabin recirculates and continues to remove pollen in the air by allowing the clean air filter to capture the pollen. When the amount of pollen in the cabin as a whole diminishes to a certain level, the air conditioning automatically resumes operating in the auto mode.



01NMO76Y

Micro Dust and Pollen Filter Control Switch

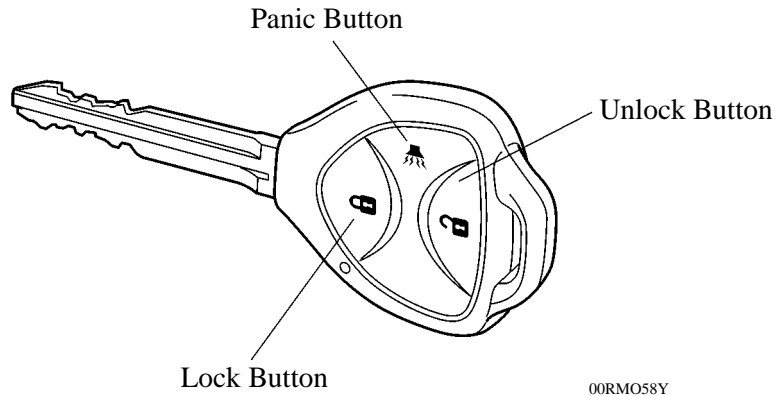


01NMO77Y

Conceptual Image of Pollen Removal

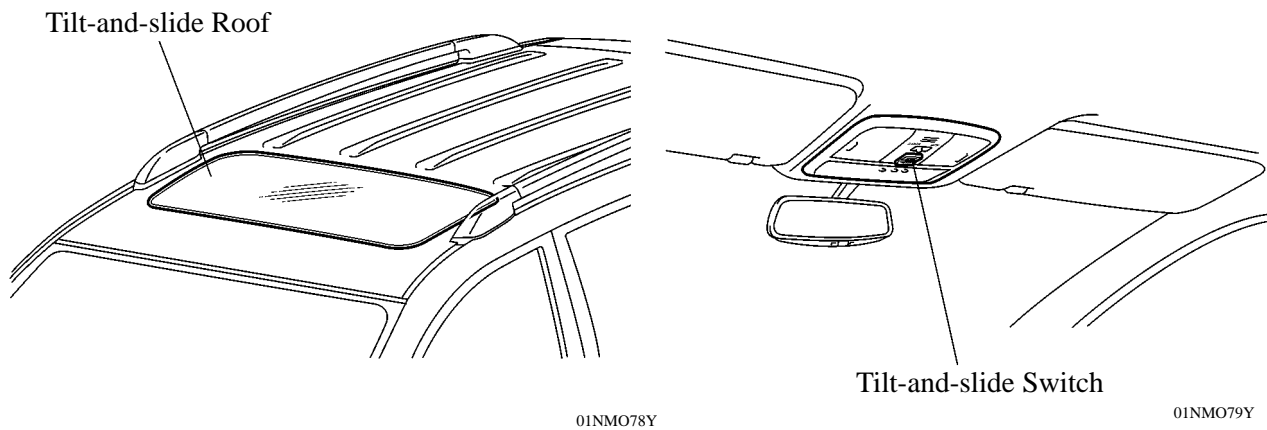
Wireless Door Lock Remote Control System

A wireless door lock remote control system with a panic button and answer back function which blinks the hazard warning lights when locking or unlocking is available as standard equipment.



Sliding Roof System

- A tilt-and-slide roof, which is provided with a one-touch function (slide open/close and tilt up/down) and a jam protection function, is available as optional equipment on the Sport and Limited grades.
- A tilt-and-slide switch is provided at the overhead console.

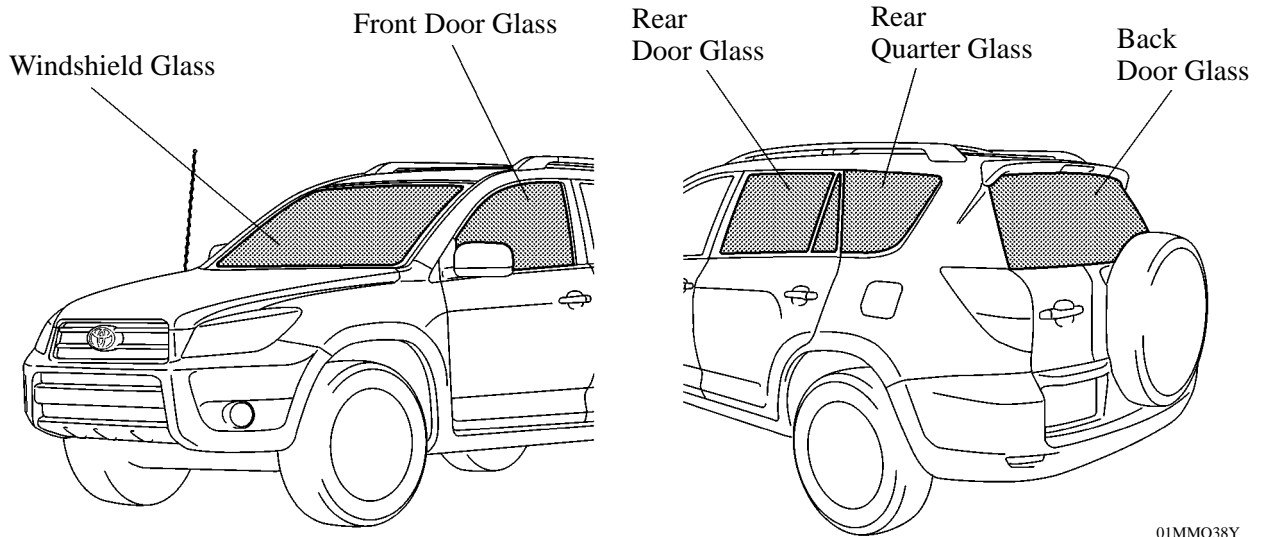


Windshield and Door Glass

The windshield and door glasses are provided as follows:

Glass Portion	Windshield	Front Door Glass	Rear Door Glass		Rear Quarter Glass		Back Door Glass	
Grade	—	—	Standard	Sport and Limited	Standard	Sport and Limited	Standard	Sport and Limited
Glass	Green	UV Reduction Green	UV Reduction Green	Dark Gray*	UV Reduction Green	Dark Gray*	UV Reduction Green	Dark Gray*

*: Optional equipment on Standard grade

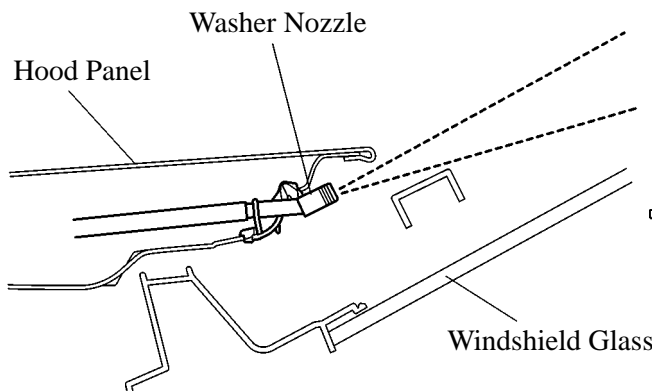


01MM038Y

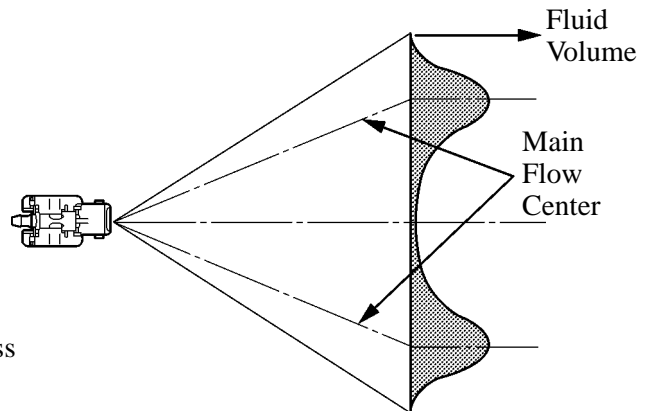
Washer System

Front

- Spray type washer nozzles are provided under the hood panel for improved appearance.
- The spray type washer nozzle sprays the washer fluid over a wide area by spraying it in a fan shape. The washer fluid volume sprayed in the center of the spray area has been reduced so as not to hinder the driver's view when the washer system is operated.



281M041



281M042Y

NOTICE:

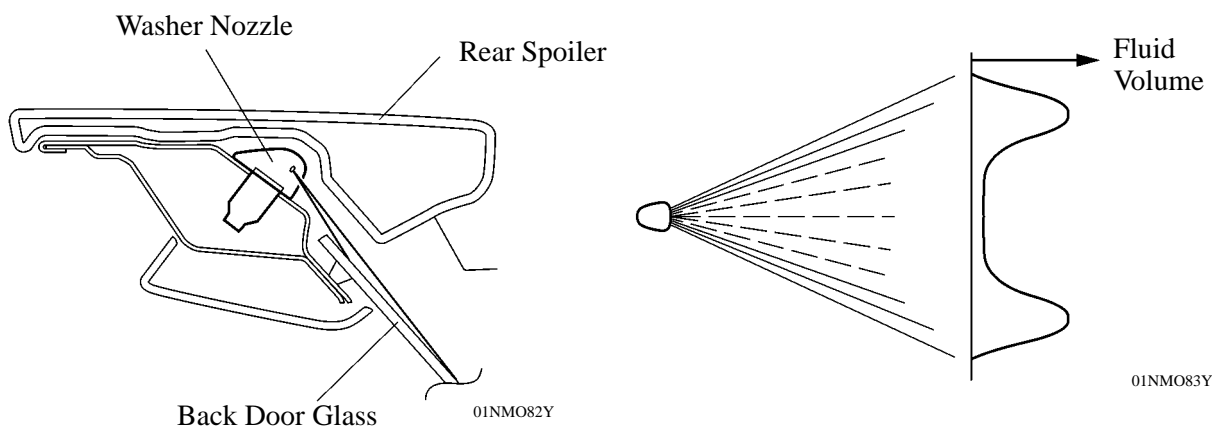
The construction of the spray type washer nozzle does not allow adjustment of the spray angle. Do not adjust the spray angle as this could damage the washer nozzle.

To change the spray angle, replace the nozzle by a nozzle with a different spray angle.

For details, refer to the 2006 RAV4 Repair Manual (Pub. No. RM01M1U).

Rear

- A flat-spray type washer nozzle is used on all models.
- The washer nozzle is located below the rear spoiler for an enhanced appearance.
- The flat-spray type washer nozzle sprays washer fluid in a fan shape over a wide area for enhanced wiping performance.

**Power Outlet**

Three power outlets are provided:

- (1) Under the center console
- (2) Inside console box
- (3) Under the left deck side trim

